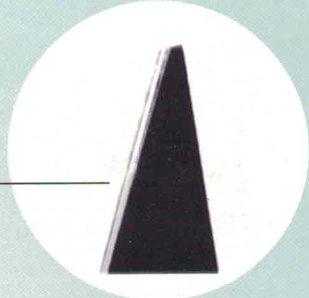




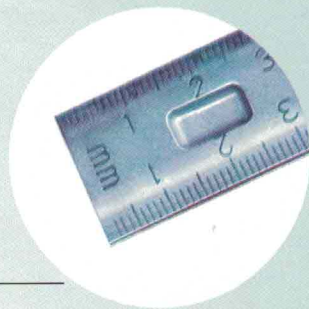
# AUTOMATIC TUBE CUTTER

PATENTED

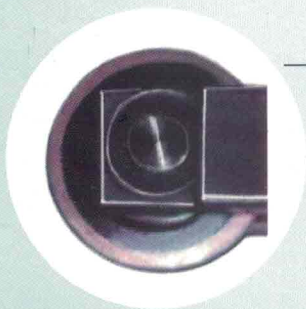
MADE IN FRANCE



Deburring



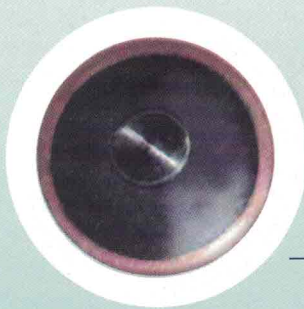
Integrated ruler  
removable, handy for  
left and right handed



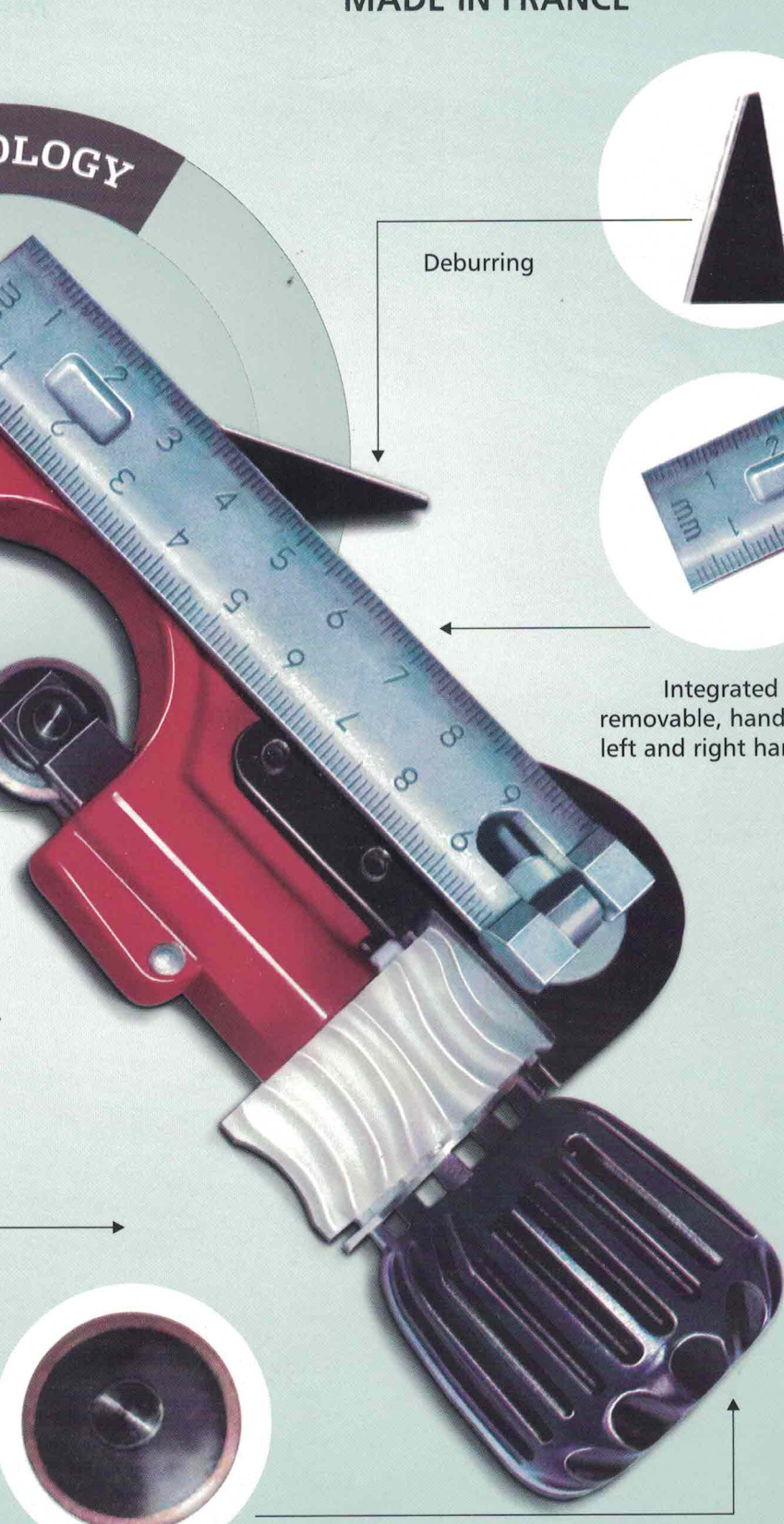
HSS Cutting  
Wheel  
for cutting  
Copper, Steel  
& Stainless Steel.



New automatic  
system



Spare cutting  
wheel



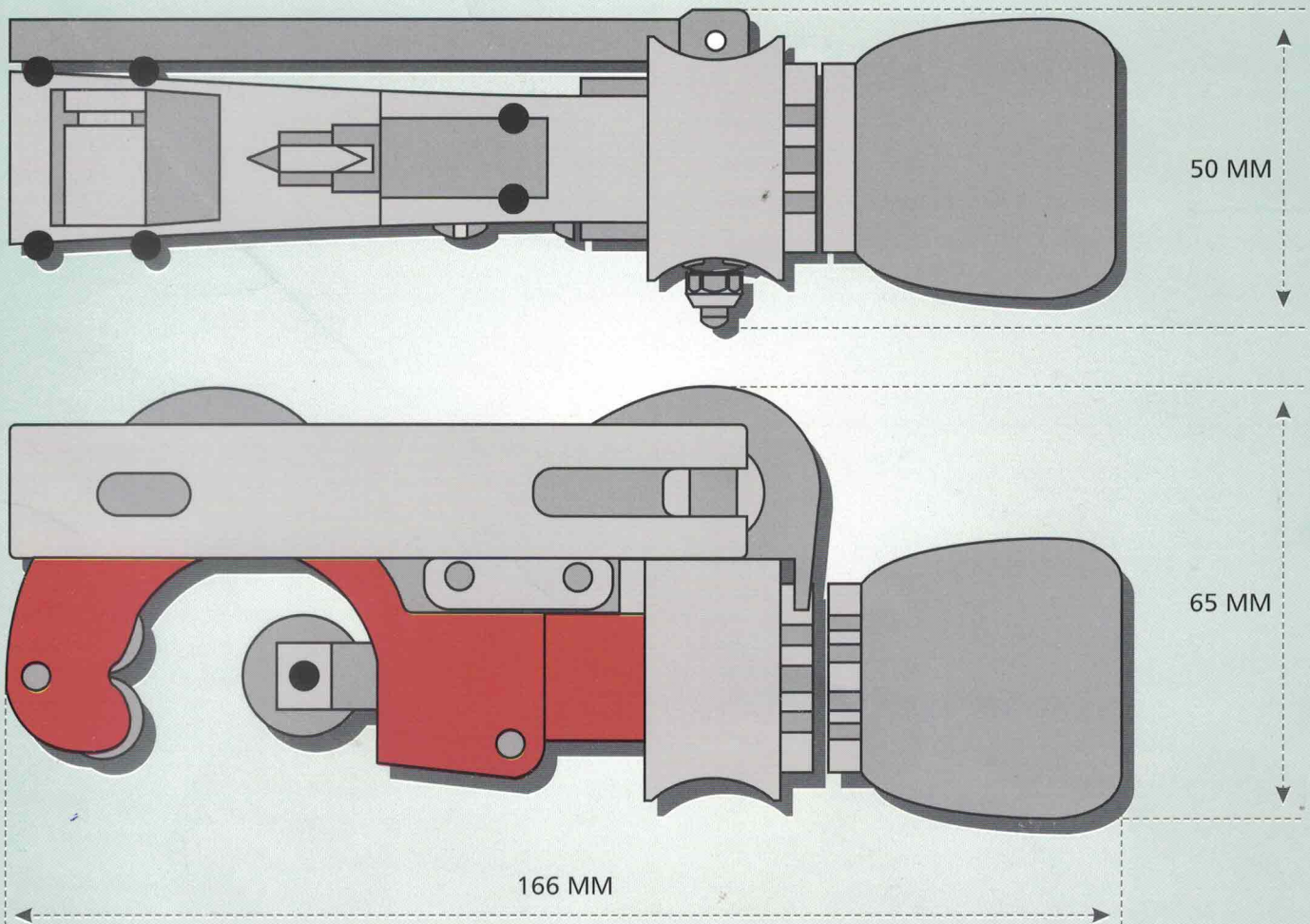


# AUTOMATIC TUBE CUTTER

**DIMENSIONS**

**WEIGHT 400g**

**MADE IN FRANCE**



## TECHNICAL DATA

Kent 8786/2	Maximum Diameter	Maximum Thickness
Copper	3-30 MM	2.5 MM
Steel	3-30 MM	2.5 MM
Multilayer	3-30 MM	4 MM



Traditional Method



New Method



HSS Cutting Wheel  
for cutting Copper, Steel  
& Stainless Steel